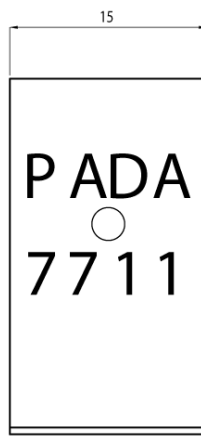
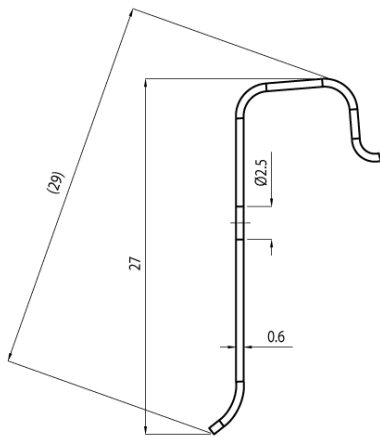


Weight (Kg/mt)	Width (mm)	Height (mm)	RTH (C/W)*	*Lenght (mm)
	15			29



**MOUNTING INSTRUCTIONS**

**PRESSURE ON THE COMPONENT**

S=4,0mm F=4,0Kg

S=4,5mm F=4,5Kg

S=5,0mm F=5,0Kg

REMARK: CLIP IS NOT SUITABLE FOR DIFFERENT THICKNESSES.

**MOUNTING FORCE (S=5,0mm)**

HORIZONTAL: MAX 25Kg

AT 45°: MAX 15Kg

REMARK: FORCES ARE TAKEN ON HEAT SINK AT NOMINAL DIMENSIONS

**IMPORTANT REMARK**

PRESSURE ON THE COMPONENT COULD CHANGE IF THE POINT OF FORCE MOVES MORE THAN 1 MM AWAY FROM THE CENTRE OF THE COMPONENT.

