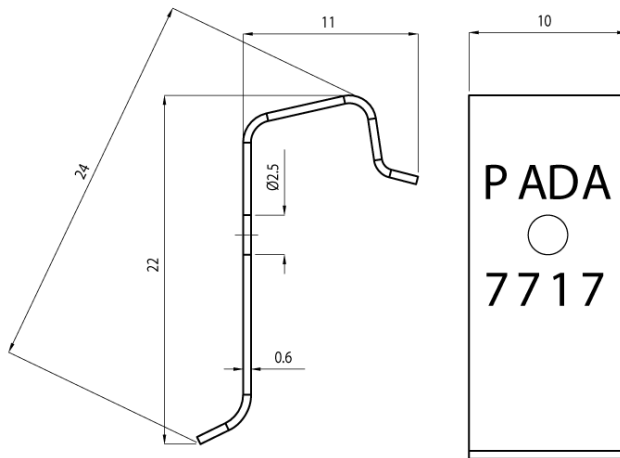


Weight (Kg/mt)	Width (mm)	Height (mm)	RTH (C/W)*	*Lenght (mm)
	10			24



MOUNTING INSTRUCTIONS

PRESSURE ON THE COMPONENT
 S=4,0mm F=3,5Kg
 S=4,5mm F=4,5Kg
 S=5,0mm F=5,5Kg
 REMARK: CLIP IS NOT SUITABLE FOR DIFFERENT THICKNESSES.

MOUNTING FORCE (S=5,0mm)
 HORIZONTAL: MAX 25Kg
 AT 45°: MAX 15Kg
 REMARK: FORCES ARE TAKEN ON HEAT SINK AT NOMINAL DIMENSIONS

IMPORTANT REMARK
 PRESSURE ON THE COMPONENT COULD CHANGE IF THE POINT OF FORCE MOVES MORE THAN 1 MM AWAY FROM THE CENTRE OF THE COMPONENT.

